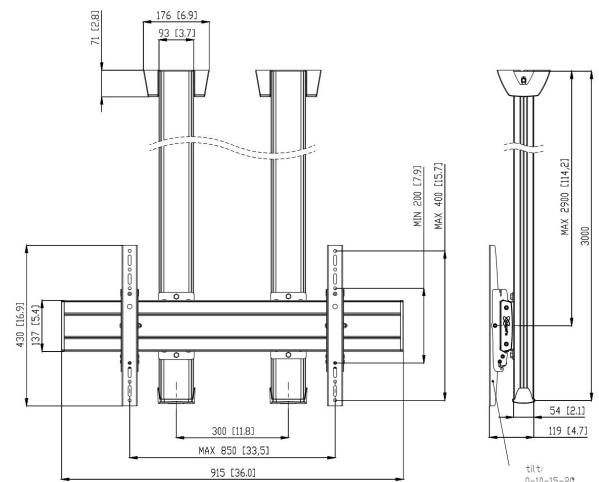




CD3084B Display Ceiling Mount ≥65" fixed (black)

Ceiling mount kit CD3084

Display size: >65"65" Fitment: 800x400 Max. load: 160 kg - 352 lbs Kit consists of: • 2x PUC 1060 Ceiling plate • 2x PUC 2530 Pole 300 cm • 1x PFB 3409 Interface bar • 1x PFS 3204 Interface display strips • 1x PFA 9126 Bracket kit





CD3084B Display Ceiling Mount ≥65" fixed (black)



Specifications

Article number (SKU)	7950070
Colour	Black
EAN single box	8712285332364
Length	3000
Width	915
Depth	119
TÜV certified	Yes
Tilt	Tilt -3°/+3°
Guarantee	5 years
Min. hole pattern	100mm x 100mm
Max. hole pattern	850mm x 400mm
Max. bolt size	M8
Max. height of interface (mm)	430
Max. width of interface (mm)	915
Autolock	True
Ceiling types	Flat ceiling
Fischer inside	Yes
Max. distance to ceiling - center display (mm)	2900
Max. horizontal hole pattern (mm)	850
Max. vertical hole pattern (mm)	400
Min. horizontal hole pattern (mm)	100
Min. screen size (inch)	65
Min. vertical hole pattern (mm)	100
Universal or fixed hole pattern	Universal

VOGEL'S HOLDING BV (©)

All rights reserved.
Subject to printing errors,
technical and price
amendments.

Date: 2023-05-24



Vogel's. For Sure.